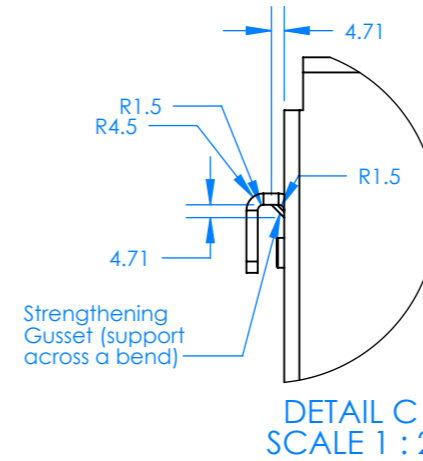
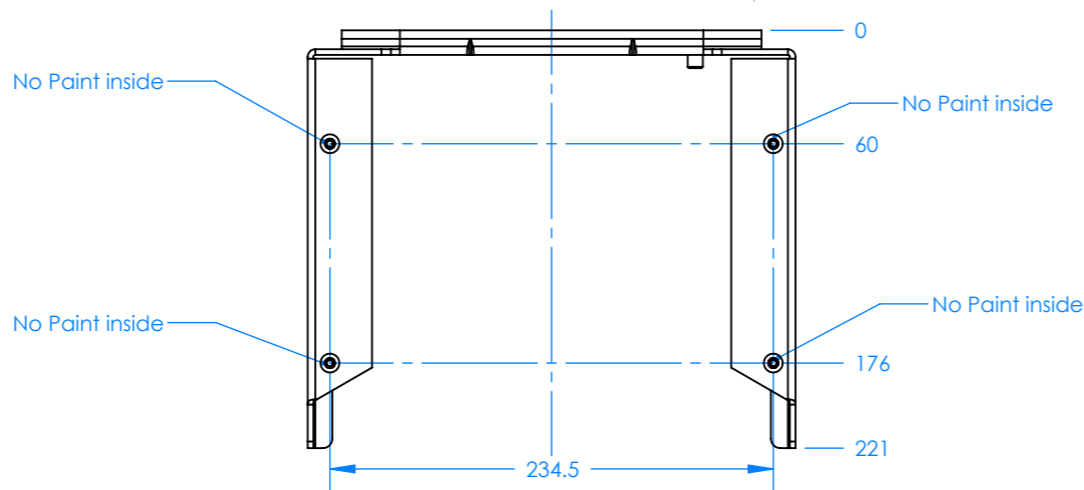
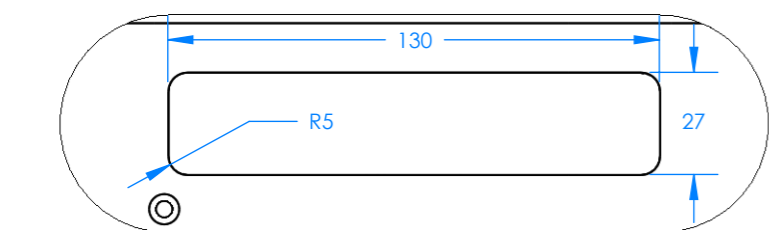
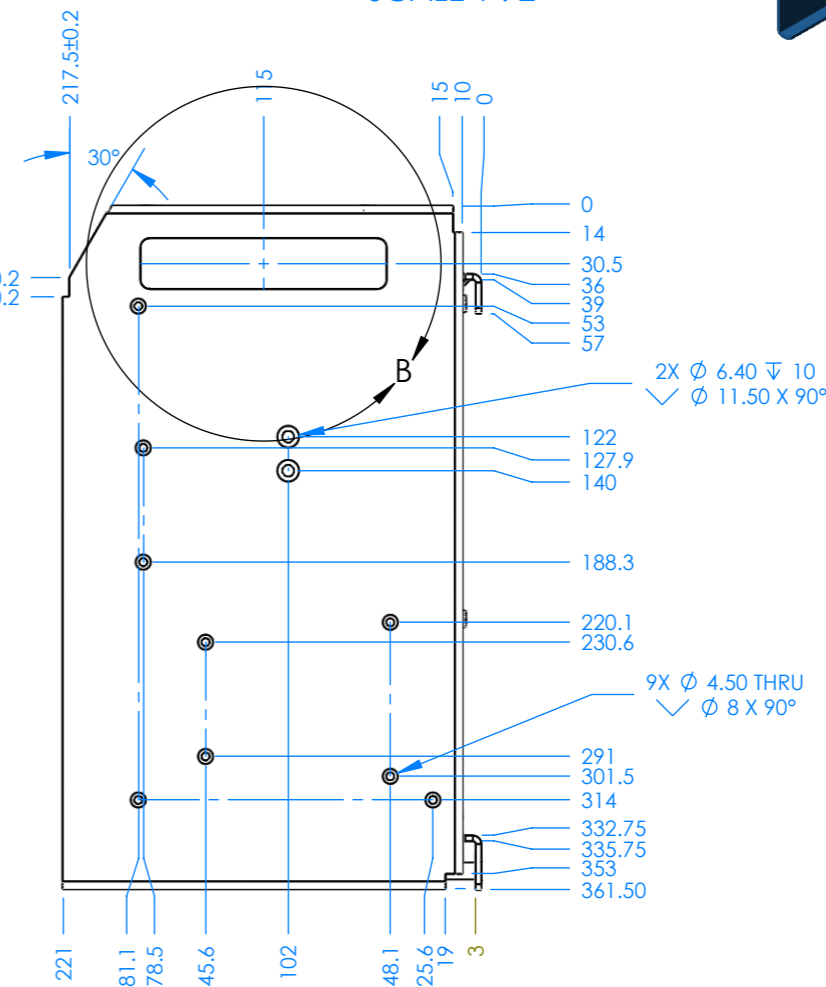
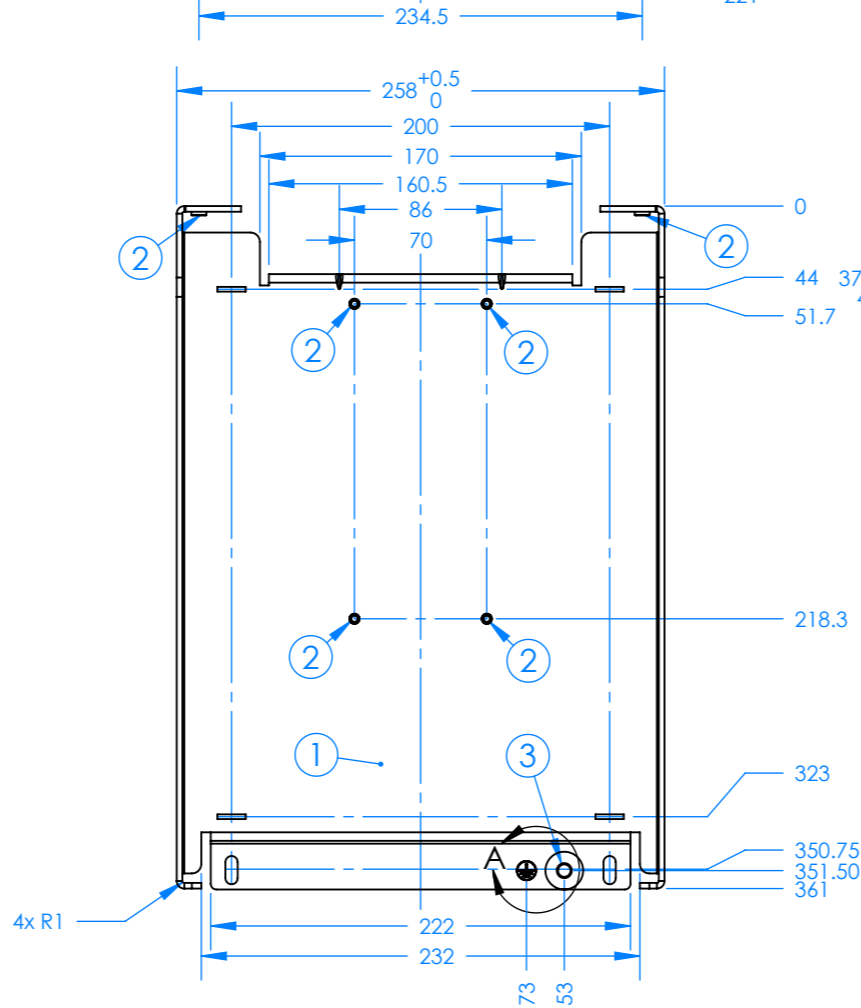
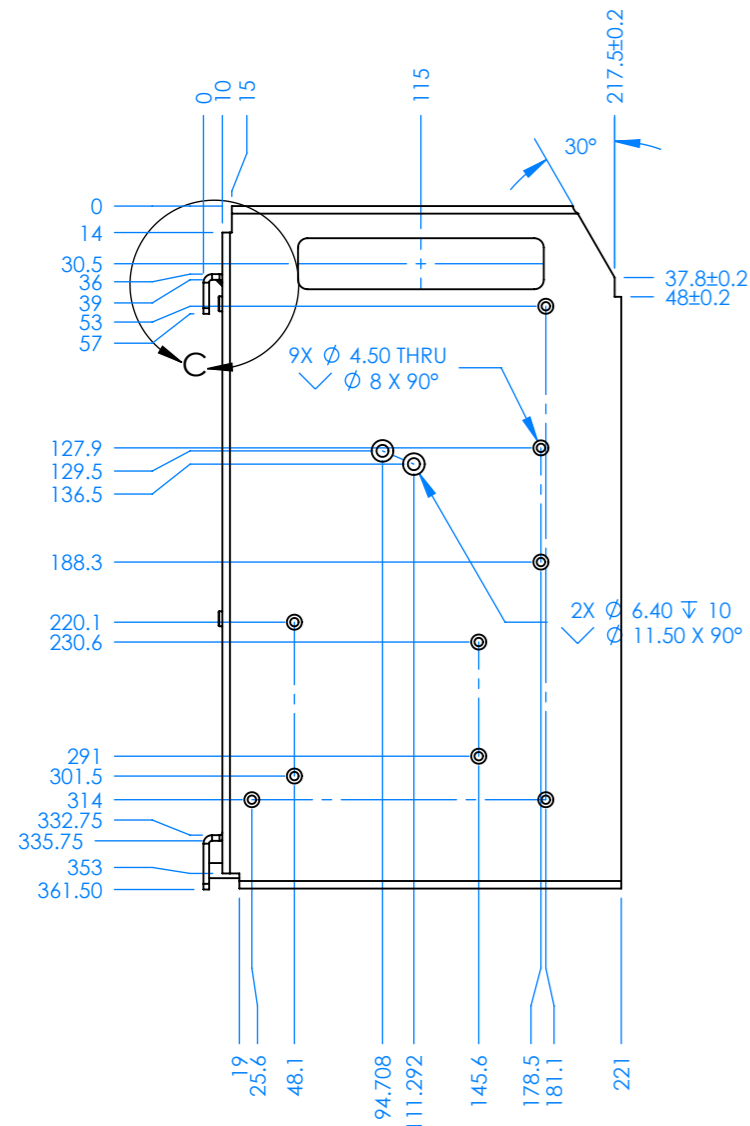


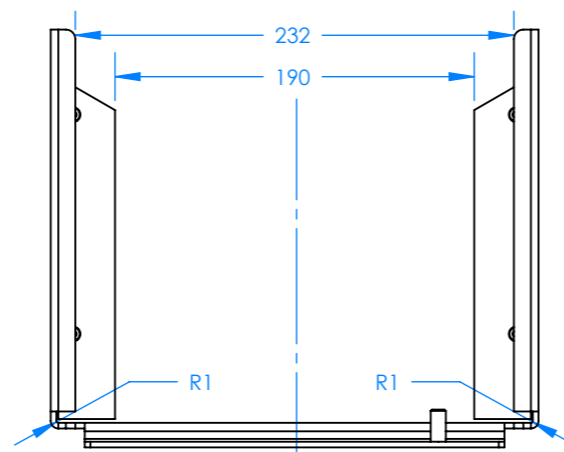
DETAIL A
SCALE 1 : 2



DETAIL C
SCALE 1 : 2



DETAIL B
SCALE 1 : 2



ITEM NO.	DESCRIPTION	PartNumber	QTY.
1	3kVA case	HOU032001112	1
2	PEM clinchnut	PEM S-M4-2-ZI	8
3	PEM selfclinching stud	PEM HFHB-M8-20	1

Remarks:
Tolerance ISO 2768 class m
unless stated otherwise
Tolerance on hole positions ±0.1
All dimensions in mm

FINISH:
Coating as specified in
"Quality Requirements
for Cabinet Material"

DEBUR AND
BREAK SHARP
EDGES

DO NOT SCALE DRAWING

REVISION 12

USA projection



	NAME	SIGNATURE	DATE
DRAWN	LH		22-Dec-14
CHK'D			
APPV'D			
MFG			
Q.A			

TITLE:
3kVA case

DWG NO. **HOU032001112**

SCALE:1:4

SHEET 1 OF 1



Victron Energy
De Paal 35
Almere Haven

MATERIAL:
Al 99,5 3[mm]

WEIGHT:

A3