

USER MANUAL INSTALLATION MANUAL

VE.Net Panel (VPN)

VICTRON ENERGY AT ANY TIME



victron energy

Copyrights © 2005 Victron Energy B.V.
All Rights Reserved

This publication or parts thereof, may not be reproduced in any form, by any method, for any purpose.

For conditions of use and permission to use this manual for publication in other than the English language, contact Victron Energy B.V.

VICTRON ENERGY B.V. MAKES NO WARRANTY, EITHER EXPRESSED OR IMPLIED, INCLUDING BUT NOT LIMITED TO ANY IMPLIED WARRANTIES OF MERCHANTABILITY OR FITNESS FOR A PARTICULAR PURPOSE, REGARDING THESE VICTRON ENERGY PRODUCTS AND MAKES SUCH VICTRON ENERGY PRODUCTS AVAILABLE SOLELY ON AN "AS IS" BASIS.

IN NO EVENT SHALL VICTRON ENERGY B.V. BE LIABLE TO ANYONE FOR SPECIAL, COLLATERAL, INCIDENTAL, OR CONSEQUENTIAL DAMAGES IN CONNECTION WITH OR ARISING OUT OF PURCHASE OR USE OF THESE VICTRON ENERGY PRODUCTS. THE SOLE AND EXCLUSIVE LIABILITY TO VICTRON ENERGY B.V., REGARDLESS OF THE FORM OF ACTION, SHALL NOT EXCEED THE PURCHASE PRICE OF THE VICTRON ENERGY PRODUCTS DESCRIBED HERE IN.

Victron Energy B.V. reserves the right to revise and improve its products as it sees fit. This publication describes the state of this product at the time of its publication and may not reflect the product at all times in the future.

Index

1. Contents of the box
2. Installation instructions
3. User manual
4. Access level
5. VE.Net panel menu (Panel Setup)
6. Technical specifications

1) Contents of the box

1 x VE.Net Panel

4 x Black screw to mount the panel

1 x Panel cutout

1 x Installation and user manual



2) Installation instructions

1. Mount the panel
2. Connect the panel to your VE.Net network with a standard straight UTP cable. (The VE.Net Panel will also be powered from this cable)
3. If required connect the alarm relay. Refer to figure 1 for the locations of the connectors.

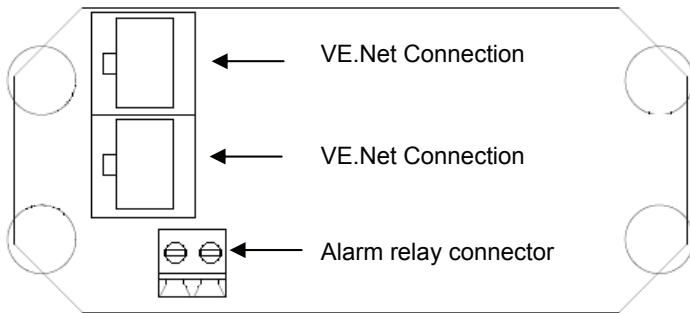


Figure 1. VE.Net Panel Connections

3) User manual

The VE.Net panel



Press cancel to leave a device, menu or value.

Press 'Enter' to enter a device, menu or to change a value.

Press the up and down switch to change a value or navigate through a menu.

Turn the panel on and off

To turn the panel on, press and hold "Enter" for two seconds.

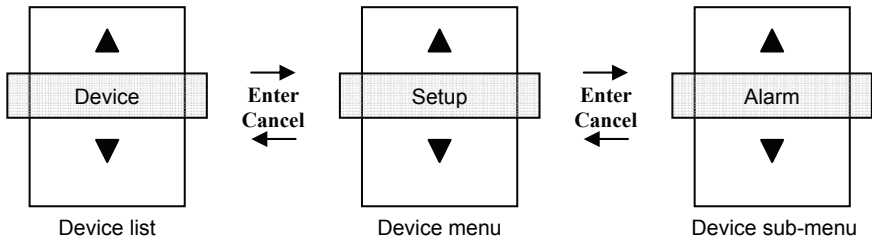
To turn the panel off, press and hold "Cancel" for two seconds.

Navigating through the menus

When the panel is switched on, it will search for any other VE.Net devices that are connected, and load a menu for each device found. The panel will then display the device list. The "▲" and "▼" buttons can be used to scroll through the list of devices. Press "Enter" to enter the menu for the selected device. When browsing a device menu, "▲" and "▼" can be used to scroll through the menu items. To return to the device list, press "Cancel" (you may have to press cancel more than once if you have entered a sub-menu, see below for more information).

Entering sub-menus

Some menu items provide access to a sub-menu, containing more menu items. If the bottom line of the display reads “[Press Enter]”, then pressing enter will display the sub menu. Pressing “Enter” in a sub menu will return you to the parent menu.

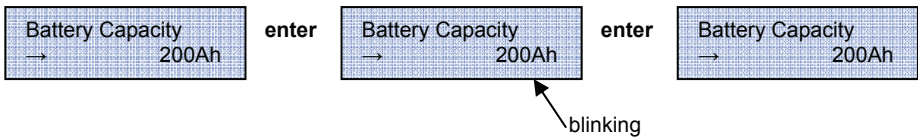


How to change a value with a VE.Net panel

When a value is changeable you will see a little arrow in the lower left corner of the display.

To change a value, press “Enter” and the value will start to blink. The “▲” and “▼” buttons can now be used to edit the value. To store the new value press “Enter”, or press “Cancel” to reject the change and restore the property to its previous value.

Note: some properties with only two possible values can be changed simply by pressing “Enter” once.



4) Access level

Many device options only need to be changed during installation, and should not be adjusted during normal use. The panel has an access level setting to prevent accidental changes to the panel during normal use. Setting the panel access level to “user and install” mode allows access to all menu items. Setting the access level to “user” mode will hide all installation options. To view the hidden items again, simply set the access level setting back to “user and install” mode.

OEM installers can use the restrict access option to password protect the access level of the panel, in order to prevent users from changing the installation settings. The password is available on request from Victron Energy.

5) VE.Net panel menu (Panel Setup)

Panel Setup		Default Value	Range	Step size
Contrast	The contrast of the display.		0-100%	5%
Backlight	The intensity of the backlight.		0-100%	5%
Backlight off	The amount of time to wait before switching off the backlight after a button has been pressed.	10s	10s, 30s, 1 min, Never	
Audible alarm	Enables and disables the buzzer in the event of an alarm.	On	On-Off	
Use relay in alm	Close the contactor which is on the back of the panel when there is an alarm	Off	On-Off	
Access level	Show or hide installation options	user and install	user, user and install	
Restrict access	Apply password protection to the access level option	No	No-Yes	
Restart panel	Restart the panel and look for new devices on the network	Ok	Ok	
Setup	Display the setup menu			

Setup		Default Value	Range	Step size
Device name	The name of this device that will be displayed in the device list.	"Panel Setup"		
Device address	Displays the unique address of this device on the VE.Net network			
Software version	The version number of the panel software.			

6) Technical specifications

VE.Net	
Maximum number of nodes	128
Maximum cable length	100 meter
Network cable	Standard UTP with RJ-45 jacks
Network type	Mixed (star and ring networks possible)
VE.Net Panel	VPN
Power supply voltage range	9 – 35 V DC
Current draw – standby	3 mA at 12 volt
Current draw – backlight off	14 mA at 12 volt
Current draw – backlight on	26 mA at 12 volt
Operating temp. range	-20 – +50°C (0 - 120°F)
Potential free contact	3A / 30 V DC / 250 V AC / (Normally Open)
ENCLOSURE	
Measurements front panel (w x h)	12 x 6,5 cm (Standard PROS3 Panel)
Measurements body (w x h)	10 x 4,5 cm
Weight	0,1 Kg

Contact:

Victron Energy
De Paal 35
1351JG Almere
The Netherlands

T: +31 (0)36 535 9700
F: +31 (0)36 531 1666

info@victronenergy.com
www.victronenergy.com